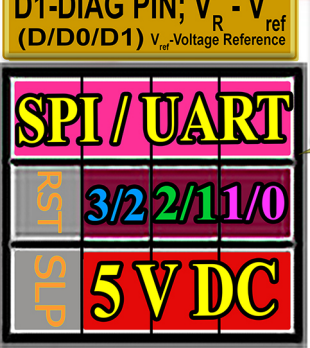


***1 Note on using multiple Power Supply Units (PSUs):**

- Ensure that you wire each PSU's earth grounds together (one earth ground from each PSU must go back to a common point that then gets attached to the earth ground of the AC input power connector).
- Wire each PSU's negative terminals together (one negative terminal from each PSU must go back to a common point that then gets attached to the negative side of the AC input power connector).



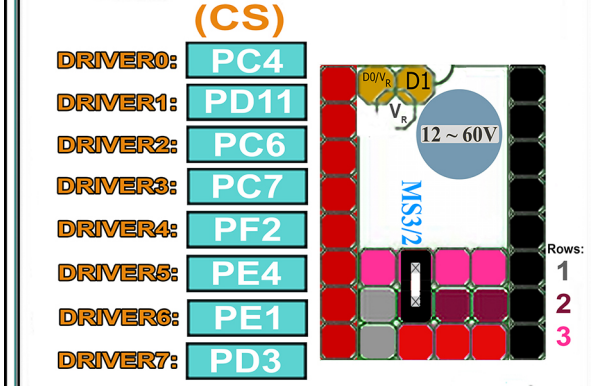
***3 Note if using PSU of 24V for "MB_POWER_IN":**

- Calculate the maximum current draw from your 4 heaters; (13 Amps maximum for: 7 Fans, 12V rail, 5V rail and 3.3V rail); you may need to change out the "MB_POWER_IN FUSE" (F3) from 15 Amps to 20 Amps (Bigtreetech supplies one with each Octopus Pro V1.0 board).



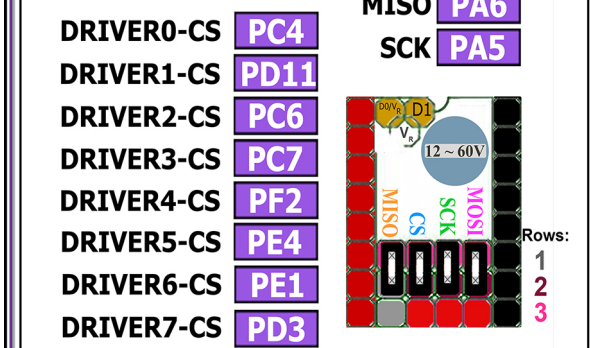
V_R; V_R location depends on the Stepper Driver Board

UART (CS)



Only one (1) Jumper is needed for this mode. Jumper located in column MS3/2 and row 1& 2.

SPI

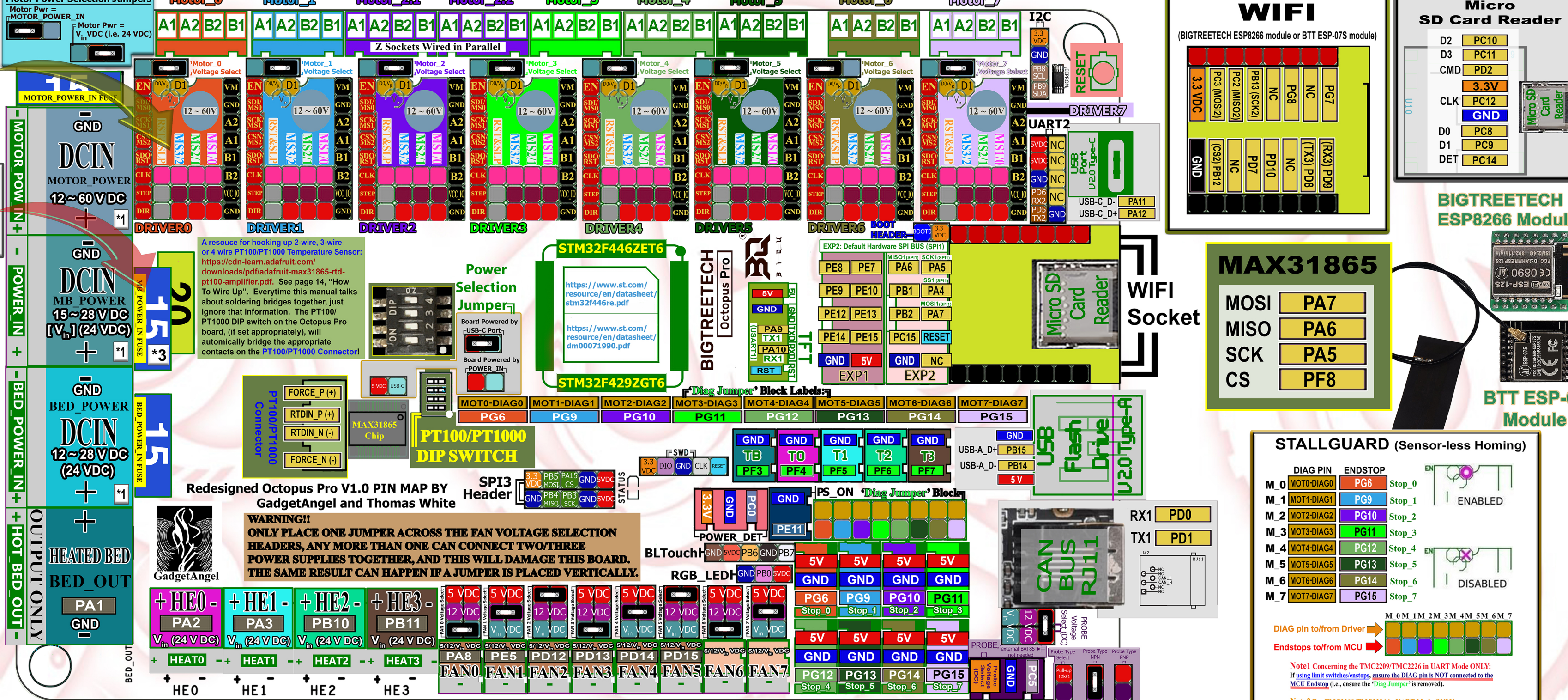


Four (4) Jumpers are needed for this mode. Jumpers located in: columns MISO, CS, SCK, MOSI and rows 1 & 2.

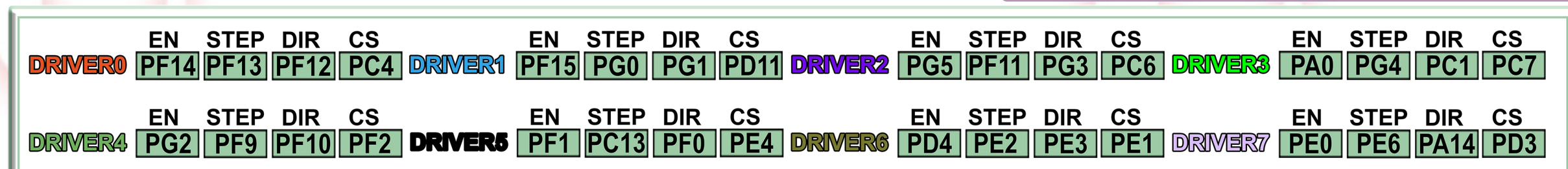
NOTE:

Things to be aware of when using the SPI bus #1: The Stepper Motor Drivers share the same SPI bus as EXP2, and the MAX31865 chip (i.e. PT100, PT1000). They only share: MISO, MOSI and SCK lines. They have separate CS lines.

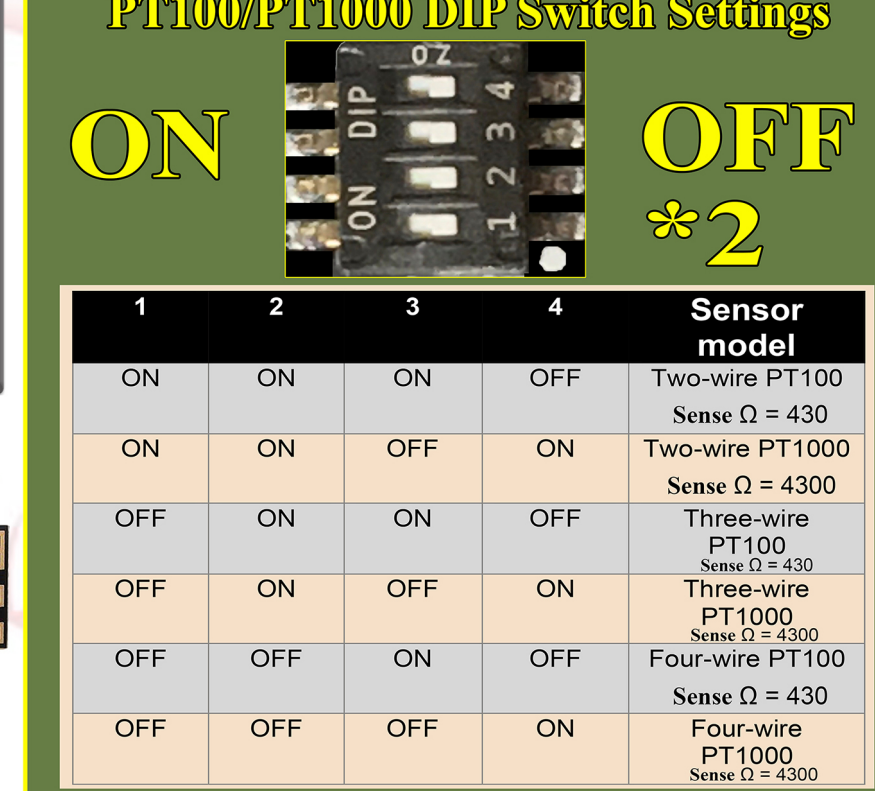
https://en.wikipedia.org/wiki/Serial_Peripheral_Interface



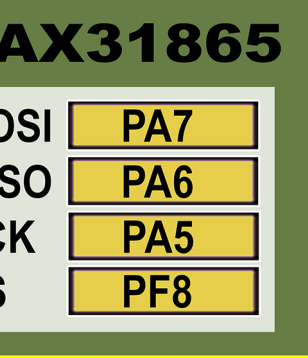
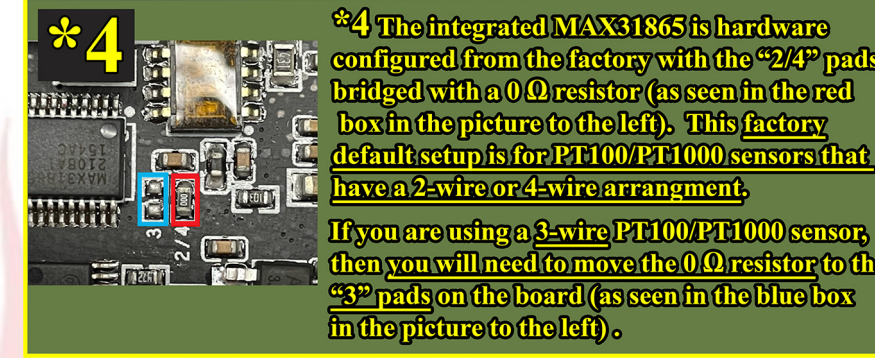
15 For stepper motor drivers, the heated bed, circuit logic, fans, & hotend heaters.



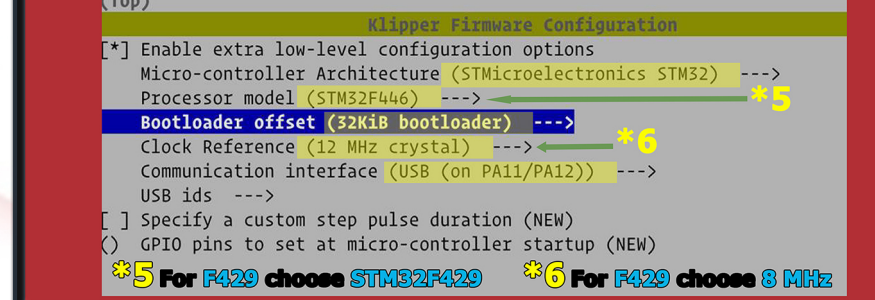
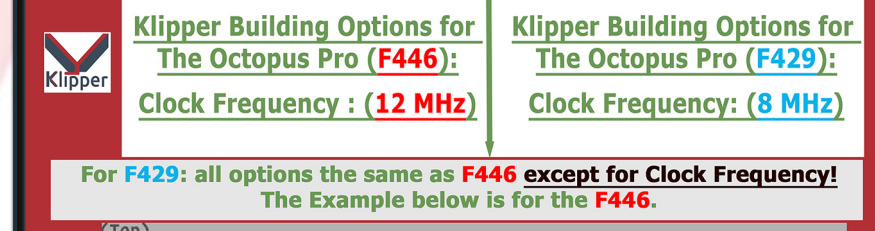
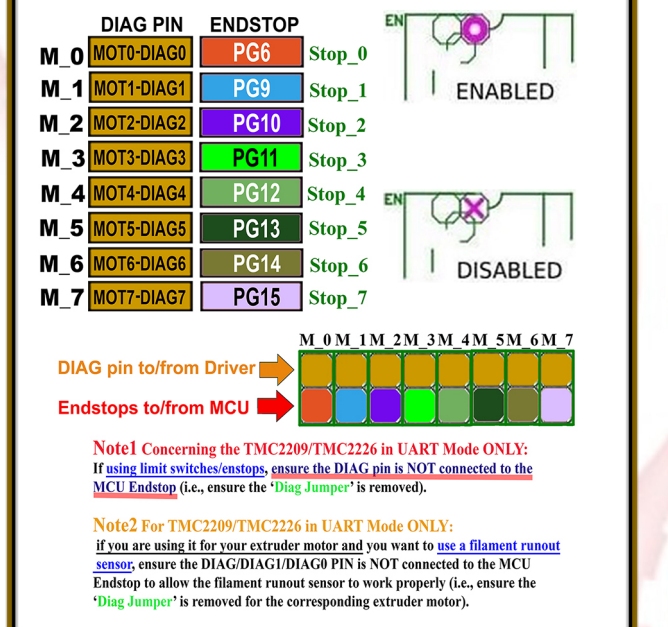
Note: If you are unsure about any of the information provided on this PIN Diagram, please ask for help from the 3D printer community, check the Processor's data sheet and board's schematic diagram.



***2 Note the default setting is all DIP switches set to OFF (i.e. Please set DIP Switches before you install the board!!!).**



STALLGUARD (Sensor-less Homing)



WARNING!! ONLY PLACE ONE JUMPER VERTICALLY ACROSS THE PROBE VOLTAGE SELECTION HEADER, ANY MORE THAN ONE CAN CONNECT TWO/THREE POWER SUPPLIES TOGETHER, AND THIS WILL DAMAGE THIS BOARD. THE SAME RESULT CAN HAPPEN IF A JUMPER IS PLACED HORIZONTALLY.

WARNING!! ONLY PLACE ONE JUMPER ACROSS THE FAN VOLTAGE SELECTION HEADERS, ANY MORE THAN ONE CAN CONNECT TWO/THREE POWER SUPPLIES TOGETHER, AND THIS WILL DAMAGE THIS BOARD. THE SAME RESULT CAN HAPPEN IF A JUMPER IS PLACED VERTICALLY.